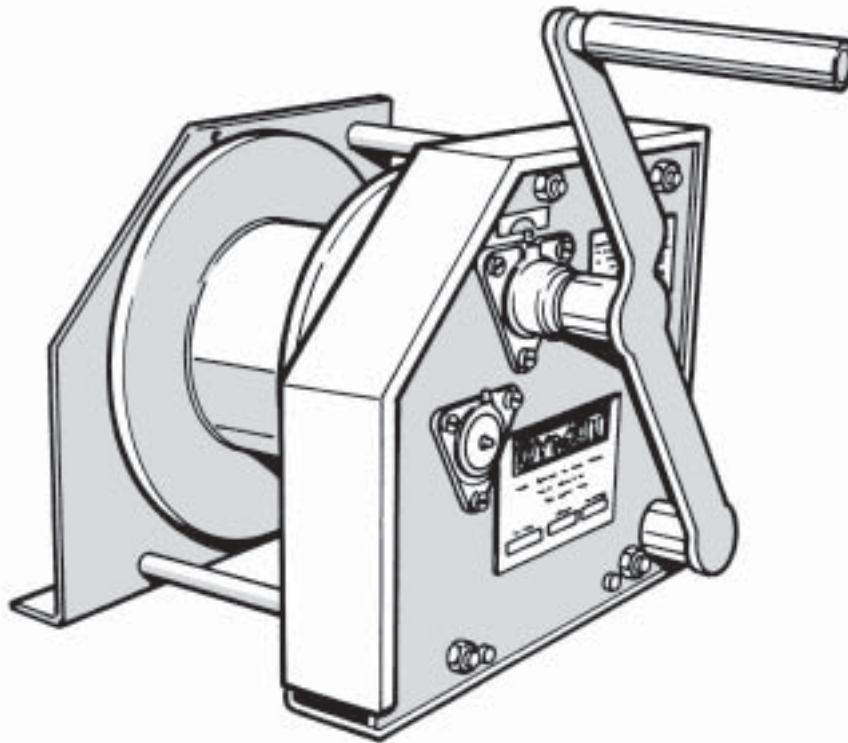




HAND WINCH

7,5-30kN (750-3000kg) MARK II



GENERAL INFORMATION

The new DYMOT range of HEAVY LOAD SAFETY WINCHES have been specially developed to eliminate the danger found on normal ratchet held loads in hand winches. The principal danger being flying handles when the ratchet is disengaged to lower the load. This problem has been overcome with the use of an automatic clamping and ratchet type brake whereby the ratchets are never disengaged and load is moved up or down simply by winding the handle in the required direction. A further improvement which has been achieved in the new design is that it is now possible to fit effective dust covers over the gears thereby reducing maintenance and increasing the life of the winches. All lubrication points are external to the covers.

USES

All load raising and lowering operations in mines, industry and agriculture and especially suited to conveyor tensioning.

FEATURES

- Safety with power.
- Highest quality alloy steel used for all gears and shafts.
- Economically priced.
- High factors of safety.
- Design parameters to B.S. 3701.

NOTE: Round the clock service is available to all DYMOT WINCH USERS and spares and accessories are freely available at REALISTIC PRICES!

SPECIFICATIONS

MODEL 3000S II WINCH

GEAR RATIO
29,25/1

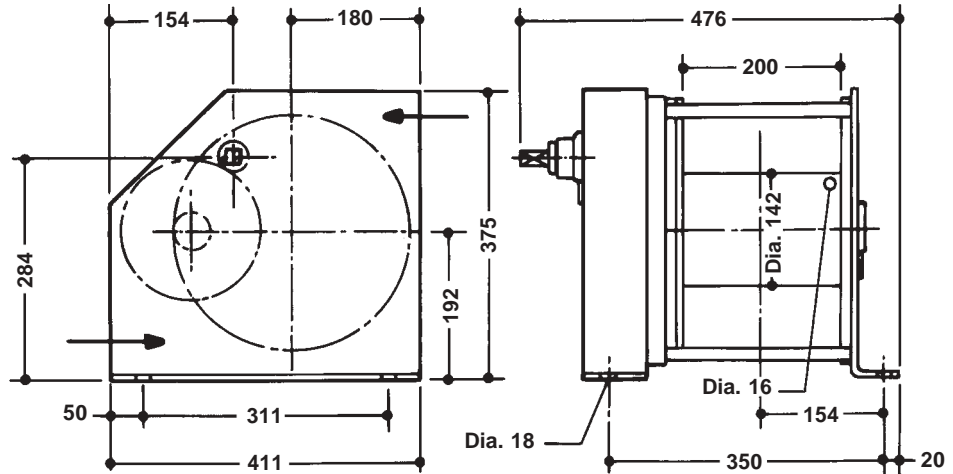
ROPE CAPACITY
75 metres

ROPE SIZE
Dia. 13 x 6 x 36 cons

HANDLE RADIUS
443 max. 228 min.

MASS
80kg

SAFE WORKING LOAD
2,2 Tons



MODEL 1500S II WINCH

GEAR RATIO
12,6/1

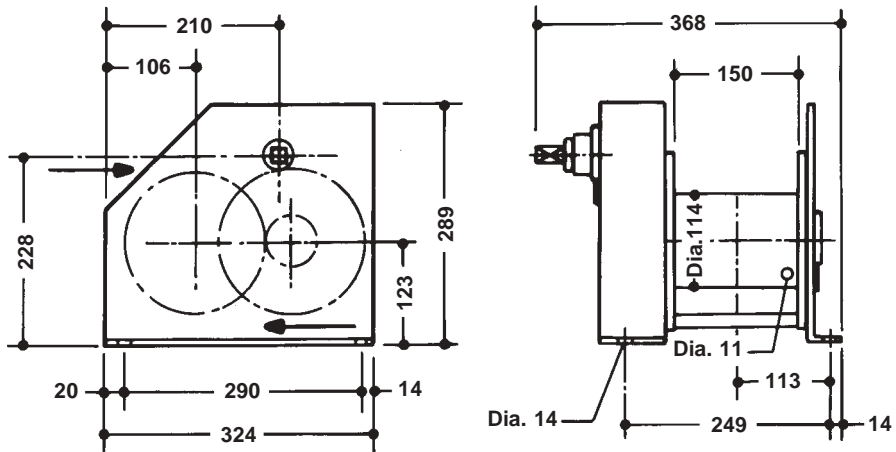
ROPE CAPACITY
35 metres

ROPE SIZE
Dia. 10 x 6 x 36 cons

HANDLE RADIUS
443 max. 228 min.

MASS
42kg

SAFE WORKING LOAD
1 Ton



MODEL 750S II WINCH

GEAR RATIO
4,5/1

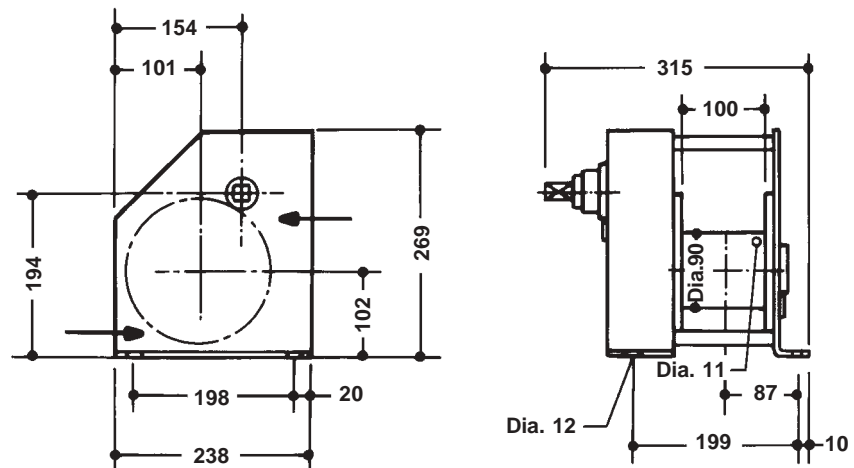
ROPE CAPACITY
24 metres

ROPE SIZE
Dia. 8 x 6 x 36 cons

HANDLE RADIUS
443 max. 228 min.

MASS
26kg

SAFE WORKING LOAD
0,5 Tons



- NOTE:**
1. ROPE MUST ENTER WINCH AS SHOWN BY ARROWS →
 2. SAFE WORKING LOAD CALCULATED ON FULL DRUM
 3. FOR WORKING LENGTH MULTIPLY DRUM FULL ROPE LENGTH BY 0,7
 4. MODEL No. DENOTES TEST LOAD

* Specification is subject to change without prior notice



DYMOT ENGINEERING COMPANY (Pty) Ltd
11 Derrick Road, Spartan, Kempton Park, S.A. ● P O Box 404,
Edenvale, 1610 ● Tel: +27 11 970-1920 ● Fax: +27 11 970-1979
Website: www.dymot.co.za ● E-Mail: sales@dymot.co.za