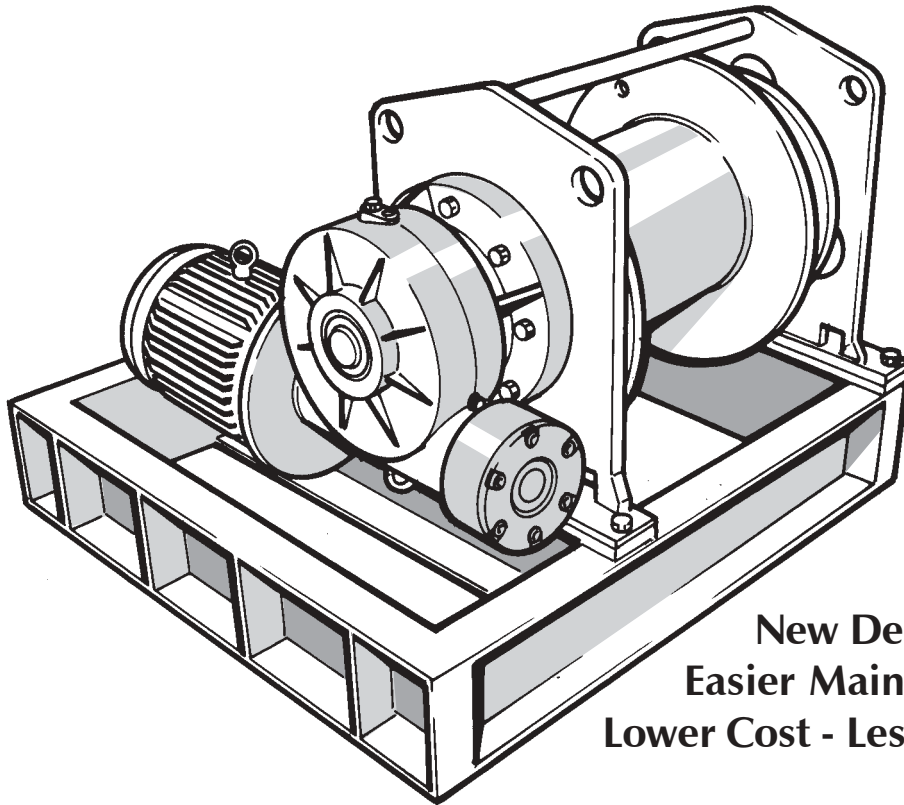




TAKE-UP WINCHES Mk2



**New Design
Easier Maintenance
Lower Cost - Less Downtime**

GENERAL INFORMATION

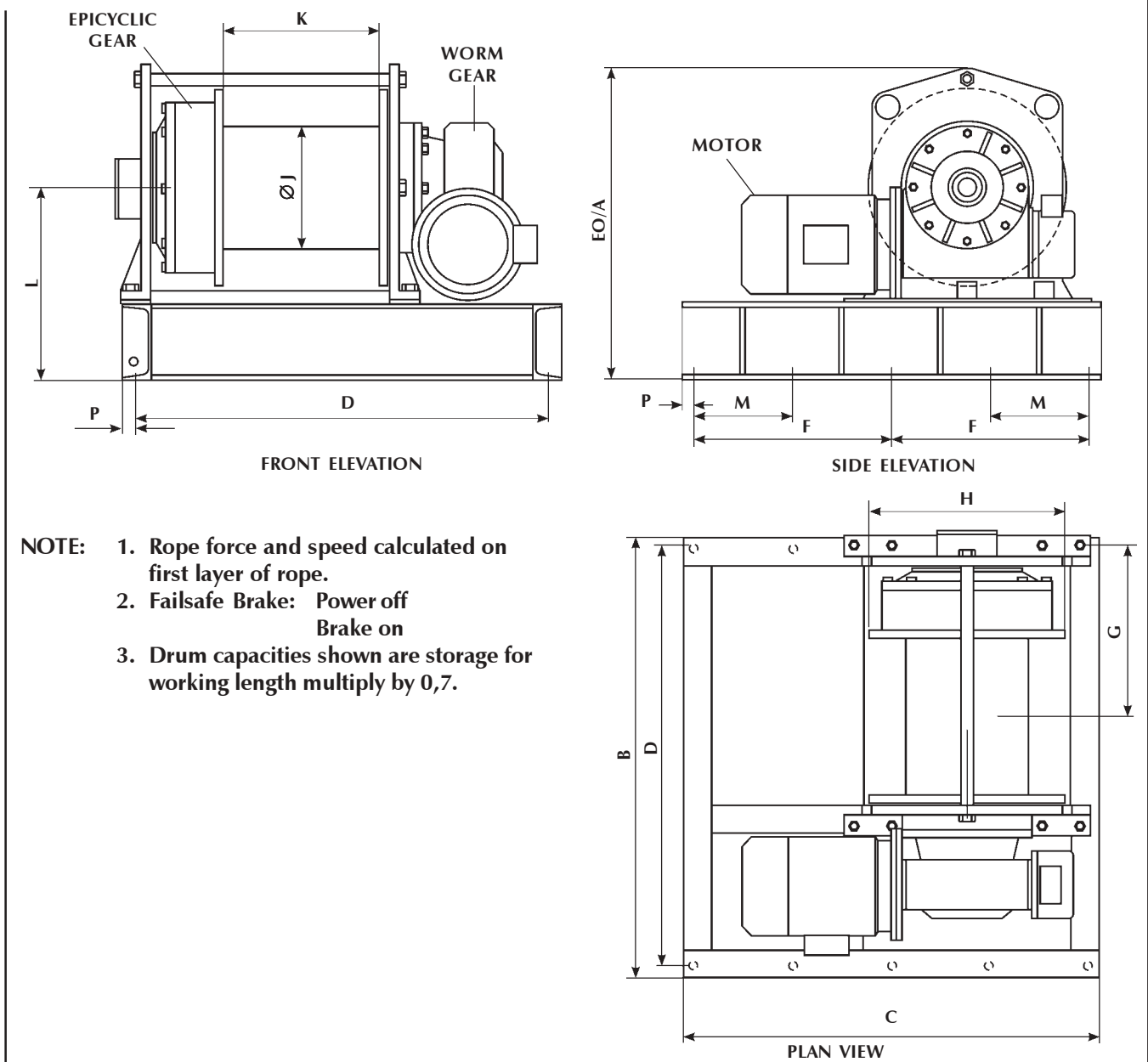
The DYMOT range of power take-up winches have been specially developed for use on long overland and underground conveyors and are ideally suited for use with automatic tensioning systems. The unique design, using a combination of worm and epicyclic gears offer numerous advantages over the conventional designs. The new design uses a failsafe disc brake with IP65 protection, this overcomes the problem previously encountered with rust which resulted in high maintenance and brake failure. This design has also eliminated the need for a brake drum type coupling through the use of a double input shaft primary gearbox.

FEATURES

- The combination of gears provides for greater mechanical protection due to the use of high ratio worm gears which will help to resist runaways in the event of a brake failure.
- The use of a separate motor and brake allows the winch to remain locked in position while a failed motor is repaired.
- The epicyclic final gear presents a massive face width of gear tooth to withstand the shock loads which can be encountered during belt start-up.
- The design and style of these winches are very compact, thus allowing easy positioning of the winch in the conveyor structure.
- The take-up winch speeds can be varied to suit customer's requirements by simply changing the worm gear ratios.

NOTE: As with all DYMOT products spares and service are guaranteed.

SPECIFICATIONS



- NOTE:**
1. Rope force and speed calculated on first layer of rope.
 2. Failsafe Brake: Power off Brake on
 3. Drum capacities shown are storage for working length multiply by 0,7.

Type No.	Motor	Speed	Load	Rope \varnothing	Drum Capacity	Mass	A \varnothing
1	3kW 4 pole	7m/min	1,8 ton	12	160m	476kg	18
2	4 kW 4 pole	6,8m/min	2,5 ton	13	130m	593kg	22
3	5,5 kW 4 pole	6,4m/min	3,5 ton	16	90m	721kg	22
4	7,5 kW 4 pole	5,4m/min	5,5 ton	20	120m	780kg	22
5	11 kW 4 pole	7,7m/min	6,5 ton	22	190m	1280kg	26
6	15 kW 4 pole	6,3m/min	8,5 ton	26	130m	1337kg	26
7	18,5 kW 6 pole	6,8m/min	11,5 ton	28	180m	1703kg	26
8	22 kW 6 pole	6,5m/min	15,0 ton	32	110m	2535kg	33

B	C	D	EO/A	F	G	H	J \varnothing	K	Type No.	Q	L	M	N	P
973	850	923	580	400	408	460	260	400	1	250	360	-	25	25
940	800	880	740	310	395	460	260	300	2	250	510	-	90	30
1000	1000	940	752	450	395	460	290	305	3	250	522	-	50	30
1160	1100	1100	769	520	445	530	318	400	4	325	504	260	30	30
1440	1400	1370	993	650	621	640	400	600	5	350	634	150	50	35
1440	1400	1370	993	650	621	640	400	600	6	350	634	150	50	35
1661	1685	1591	1250	780/835	664	840	550	700	7	443	775	-	35	35
1695	1740	1625	1195	835	685	840	550	700	8	441	777	300	35	35

* Specification is subject to change without prior notice



DYMOT ENGINEERING COMPANY (Pty) Ltd
 11 Derrick Road, Spartan, Kempton Park, S.A. ● P O Box 404,
 Edenvale, 1610 ● Tel: +27 11 970-1920 ● Fax: +27 11 970-1979
 Website: www.dymot.co.za ● E-Mail: sales@dymot.co.za