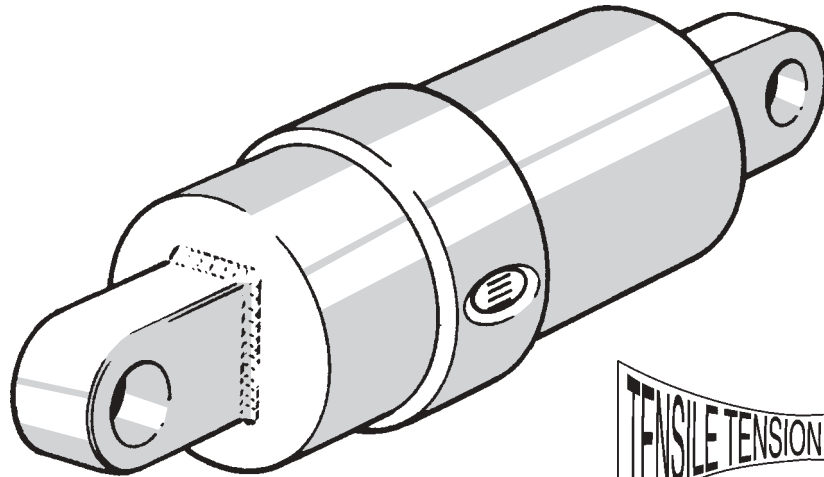




# MECHANICAL TENSION METER



## GENERAL AND TECHNICAL INFORMATION

A rugged low cost tool for easy maintenance of the correct belt tension in all conveyors.

Tension meters by DYMOT come in two sizes, 1 to 5 tons for the lighter load and 5 to 12 tons for heavier loads.

DYMOT TENSION METERS are made of the best materials and designed for long life in the rough environment in which they work.

The units are maintenance free and need only to be wiped clean for operator to see the sealed load indicator.

Accuracy within  $\pm 3\%$  of maximum capacity.

100% South African manufacture.

## USES

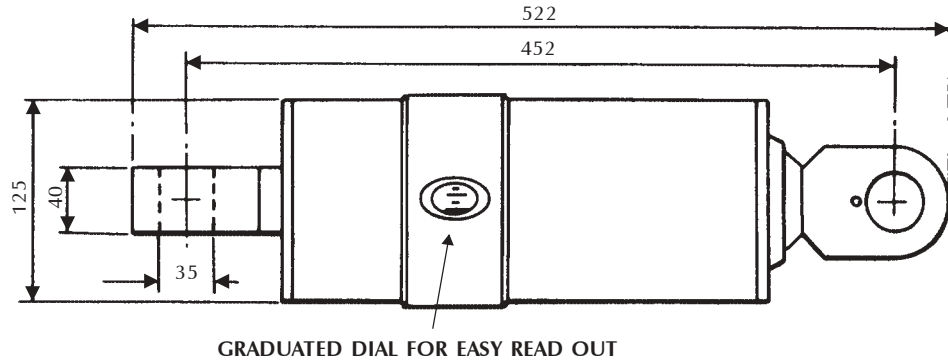
All load tension applications in mines on underground conveyors without counter weights in industry and agriculture. Especially suited to conveyor tension applications where HAND WINCHES are used.

# SPECIFICATIONS

## SIZE 1 TENSION METER

Capacity: 1 to 5 Ton

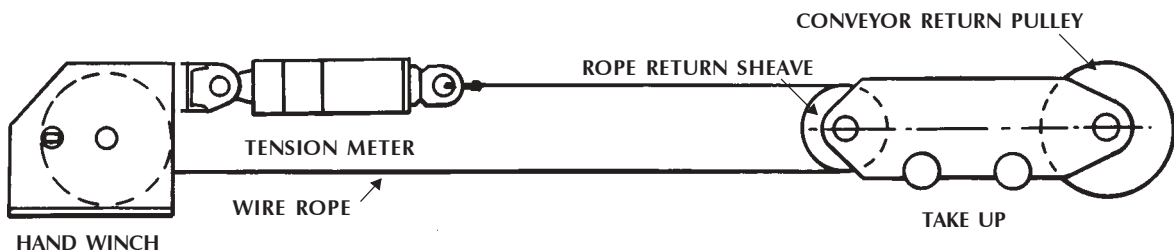
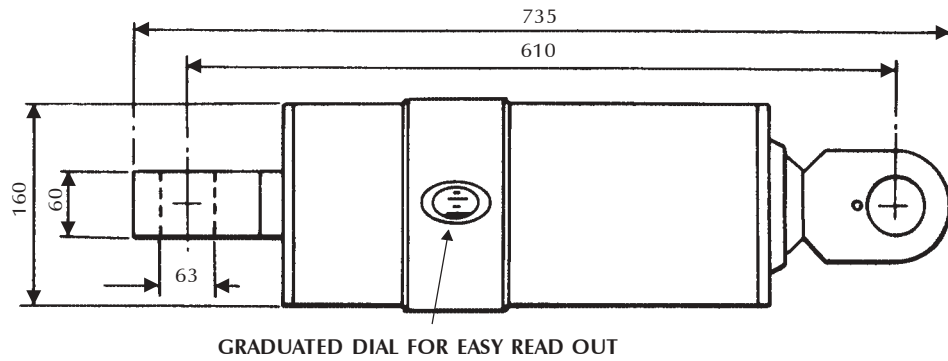
Mass: 30kg



## SIZE 2 TENSION METER

Capacity: 5 to 10 Ton

Mass: 66kg



TYPICAL INSTALLATION

\* Specification is subject to change without prior notice



**DYMOT ENGINEERING COMPANY (Pty) Ltd**  
11 Derrick Road, Spartan, Kempton Park, S.A. ● P O Box 404,  
Edenvale, 1610 ● Tel: +27 11 970-1920 ● Fax: +27 11 970-1979  
Website: [www.dymot.co.za](http://www.dymot.co.za) ● E-Mail: [sales@dymot.co.za](mailto:sales@dymot.co.za)