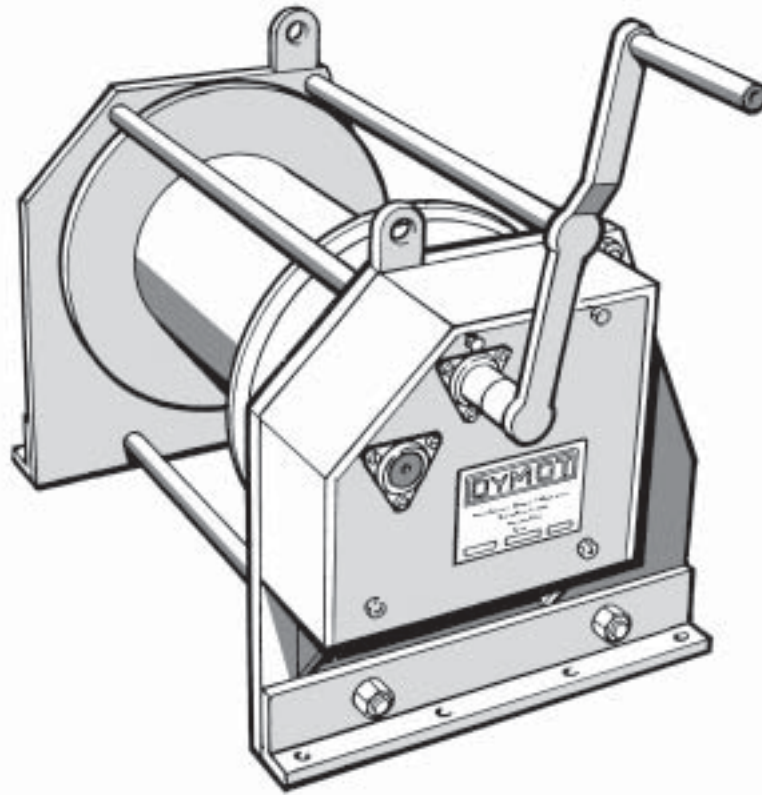




HEAVY DUTY HAND WINCHES

50 - 130KN (5000 - 13000 KG) MARK II SERIES



GENERAL INFORMATION

The new DYMOT range of HEAVY LOAD SAFETY WINCHES have been specially developed to eliminate the danger found on normal ratchet held loads in hand winches. The principal danger being flying handles when the ratchet is disengaged to the lower load. This problem is overcome with the use of an automatic clamping and ratchet type brake whereby the ratchets are never disengaged and the load is moved up or down simply by winding the handle in the required direction.

A further improvement which has been achieved in the new design is that it is now possible to fit effective dust covers over the gears thereby reducing maintenance and increasing the life of the winches. All lubrication points are external to the covers.

FEATURES

- Safety with power.
- Highest quality alloy steels used for all gears and shafts for rugged durability.
- These winches can be safely modified to accept power drives.
- Economically priced.
- High factors of safety.
- Design parameters to B.S. 3701.

NOTE: Round the clock service is available to all DYMOT WINCH USERS and spares and accessories are freely available at REALISTIC PRICES!

SPECIFICATIONS

MODEL 13000S II WINCH

GEAR RATIO
392/1

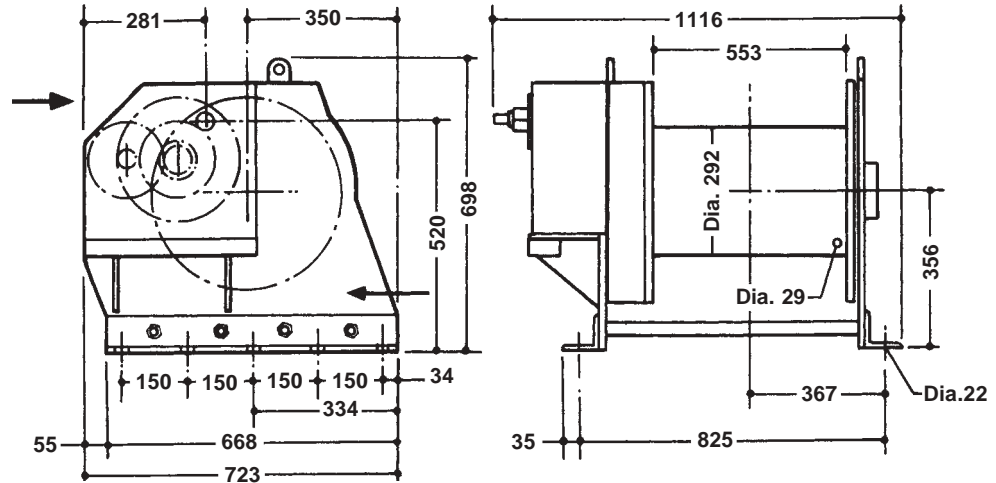
ROPE CAPACITY
103 metres (Drum Full)

ROPE SIZE
Dia. 26 x 6 x 36 cons

HANDLE RADIUS
443 max. 228 min.

MASS
397kg

SAFE WORKING LOAD
8,2 Tons



MODEL 8000S II WINCH

GEAR RATIO
152/1

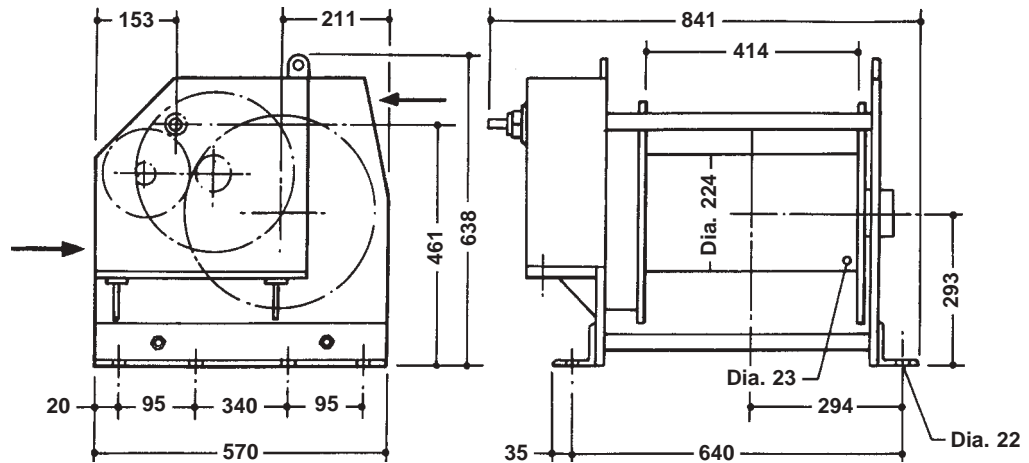
ROPE CAPACITY
94 metres (Drum Full)

ROPE SIZE
Dia. 20 x 6 x 36 cons

HANDLE RADIUS
443 max. 228 min.

MASS
243kg

SAFE WORKING LOAD
5,4 Tons



MODEL 5000S II WINCH

GEAR RATIO
76,8/1

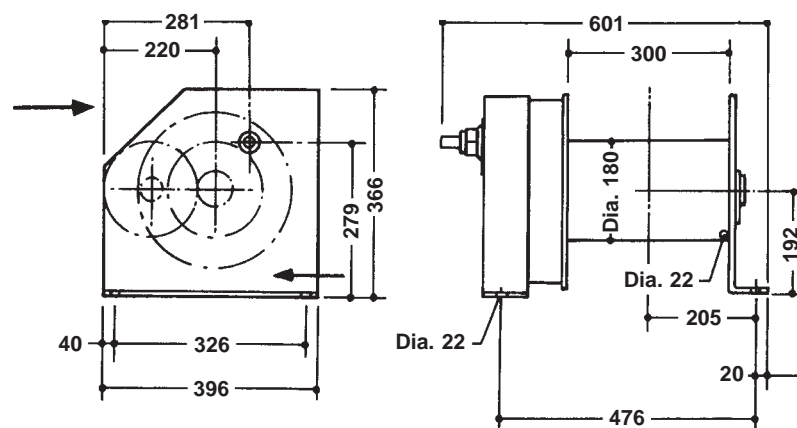
ROPE CAPACITY
63 metres (Drum Full)

ROPE SIZE
Dia. 16 x 6 x 36 cons

HANDLE RADIUS
443 max. 228 min.

MASS
112kg

SAFE WORKING LOAD
3,5 Tons



- NOTE:**
1. ROPE MUST ENTER WINCH AS SHOWN BY ARROWS →
 2. SAFE WORKING LOAD CALCULATED ON FULL DRUM
 3. FOR WORKING LENGTH MULTIPLY DRUM FULL ROPE LENGTH BY 0,7
 4. MODEL No. DENOTES TEST LOAD

* Specification is subject to change without prior notice



DYMOT ENGINEERING COMPANY (Pty) Ltd
11 Derrick Road, Spartan, Kempton Park ● P O Box 404,
Edenvale, 1610 ● Telephone: 970-1920 ● Fax: 970-1979